

Outside temperature sensors / wet room temperature sensors with passive output

Outside wall resistance thermometers / weather sensors THERMASGARD® ATF 1 (internal sensor) and ATF 2 (external sensor) with passive output and enclosure made of impact-resistant plastic and enclosure cover with quick-locking screws for the detection of outside temperatures, temperatures in wet room areas, e.g. as weather sensor, for installation on outside walls, in cold storage buildings and greenhouses, in halls, in the industrial sector and in agriculture. Installation in outdoor areas preferably at the north side of a building or in a protected place. In case of strong solar radiation, a sunshade protector SSO1 shall be used together with version ATF 1 as well as model SSO2 together with version ATF 2.

ATF 1



TECHNICAL DATA:

- Measuring range: - 50 ... + 90 °C
- Sensors / output: see table, sensors passive
 - ATF 1: sensor internal on circuit board
 - ATF 2: sensor inside external stainless steel sensor tube, 1.4571, V4A
- Connection type: 2-wire connection (3- or 4-wire connection optional)
- Testing current: ca. 1 mA
- Enclosure: plastic, material polyamide, 30% glass-globe-reinforced, **with quick-locking screws**, colour pure white (similar RAL9010)
- Dimensions: 72x64x39.4 mm
- Cable gland: M16, including strain relief
- Electrical connection: 0.14- 1.5 mm² via terminal screws on circuit board
- Insulating resistance: ≥ 100 MΩ, at 20 °C (500 V DC)
- Humidity: < 95% r.H.
- Protection class: III (according to EN 60730)
- Protection type: **IP 65** (according to EN 60529)

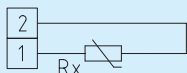


ATF 2

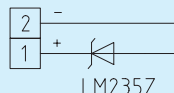


ATF 2 with SSO2

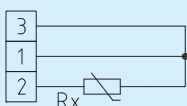
1x two-wire connection standard



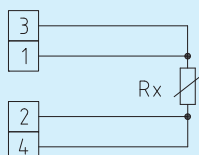
1x two-wire connection LM 235 Z (KP 10)



1x three-wire connection (optional)



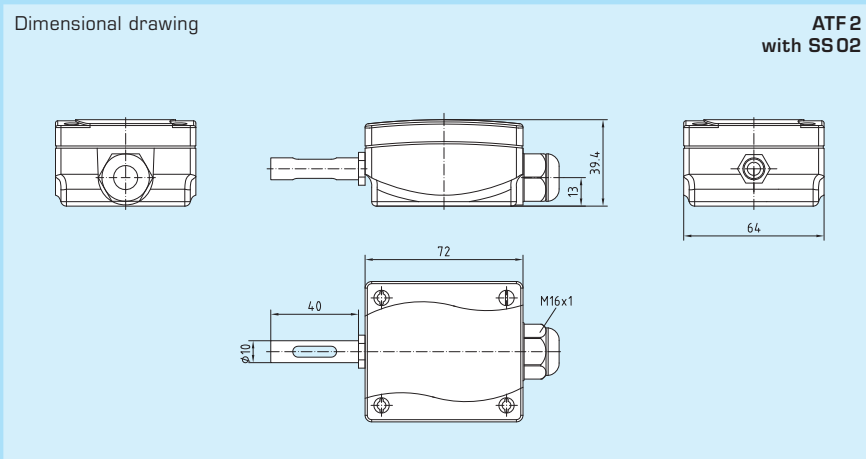
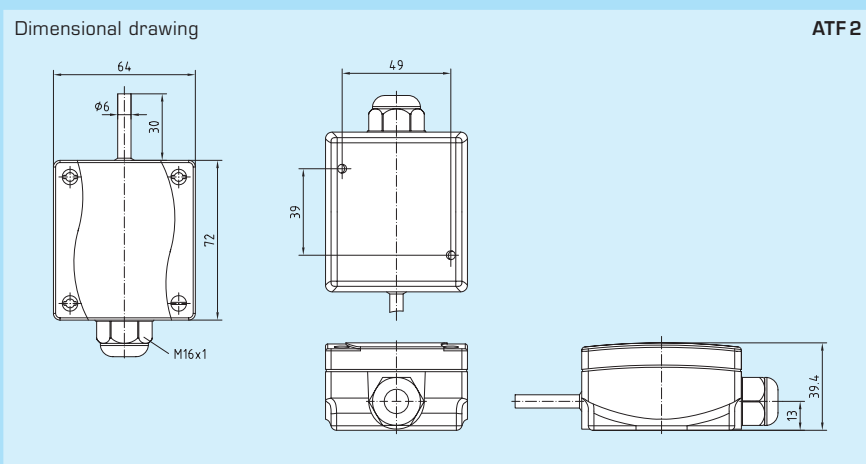
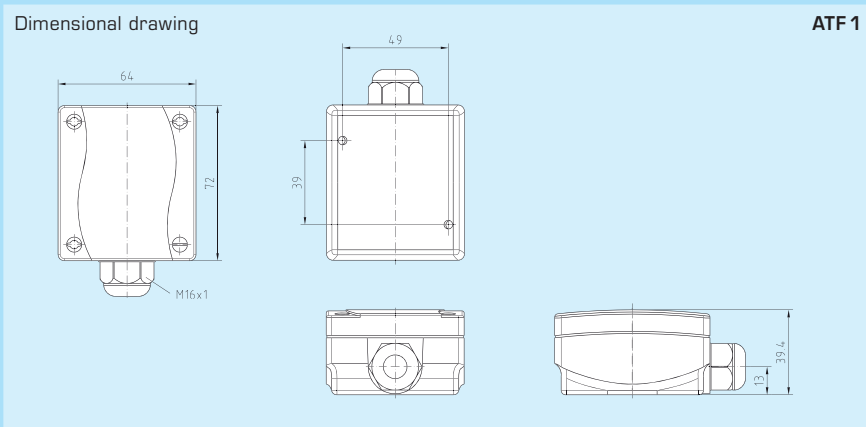
1x four-wire connection (optional)



THERMASGARD® ATF 1 (internal sensor)

Type / WG1	Sensor / Output
ATF 1 Pt100	Pt100 (according to DIN EN 60751, class B)
ATF 1 Pt1000	Pt1000 (according to DIN EN 60751, class B)
ATF 1 Ni1000	Ni1000 (according to DIN EN 43760, class B, TCR = 6180 ppm/K)
ATF 1 Ni1000 TK5000	Ni1000 TK5000 (TCR = 5000 ppm/K), LG-Ni1000
ATF 1 NTC 1.8 kOhm	NTC 1.8 kOhm
ATF 1 KTY81-210, NTC10k, 20k, 30k, 50k, 10k Precon	KTY81-210, NTC10k, 20k, 30k, 50k, 10k Precon
ATF 1 LM235Z	LM235Z (TCR = 10 mV/K; 2.73 V at 0 °C), KP10
Accessories:	SS-01 Sunshade and ball game protection





THERMASGARD® ATF 2 (external sensor)

Type/WG1	Sensor/Output
ATF 2 Pt100	Pt100 (according to DIN EN 60751, class B)
ATF 2 Pt1000	Pt1000 (according to DIN EN 60751, class B)
ATF 2 Ni1000	Ni1000 (according to DIN EN 43760, class B, TCR = 6180 ppm/K)
ATF 2 Ni1000 TK5000	Ni1000 TK5000 (TCR = 5000 ppm/K), LG-Ni1000
ATF 2 NTC 1.8 kOhm	NTC 1.8 kOhm
ATF 2 KTY81-210, NTC10k, 20k, 30k, 50k, 10k Precon	KTY81-210, NTC10k, 20k, 30k, 50k, 10k Precon
ATF 2 LM235Z	LM235Z (TCR = 10 mV/K; 2.73 V at 0 °C), KP10
Extra charge:	SS-02 Sunshade and radiation protection (nur für ATF2)
Accessories:	SS-01 Sunshade and ball game protection