

Pressure measuring transducers, incl. DIN receptacle, with active output

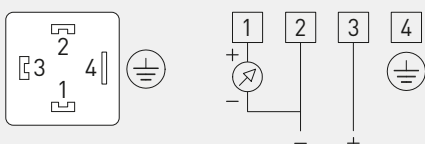
The pressure sensor / differential pressure sensor **PREMASGARD® SHD 400** is used to measure above-atmospheric, below-atmospheric, and differential pressures in virtually neutral gaseous and liquid media. A rugged and non-sensitive ceramic pressure measuring cell is used. The measuring pressure acts on the ceramic membrane, causing it to deform. This membrane is fitted with a DMS bridge whose resistance value changes in proportion to the degree of deformation. The electronics integrated in the transmitter housing converts this change in resistance into a standard signal of 0-10V or 4...20mA um. The process connection is implemented via two internal threads G 1/8". It is used in all areas of industrial of sanitary measurement technology, such as differential pressure measurement between the supply and return lines in heating systems or for monitoring filters, fans, and compressors.

TECHNICAL DATA

| | |
|---|---|
| Power supply: | 24 V AC / DC (±20%) for U-variant 24 V DC (±20%) for I-variant |
| Measuring ranges: | see table |
| Output signal: | 0-10V or 4...20mA |
| Permissible working resistance: (at nominal voltage) | $R_L = 2\text{ k}\Omega$ for U-variant $R_L = 700\ \Omega$ for I-variant |
| Electrical connection: | plug connector DIN EN 175301-803-A |
| Pressure connection: | G 1/8" internal thread (optional connection types upon request) |
| Type of pressure: | differential pressure, above- or below atmospheric pressure |
| Temperature of medium: | -20...+80 °C (non-freezing media) |
| Mounting: | by 2x M4 screw or fixing plate for wall mounting (installation arbitrary) |
| Enclosure: | stainless steel VA 1.4305 |
| Connecting head: | angle plug connector DIN EN 175301-803-A |
| Medium contacting parts: | ceramic, stainless steel VA 1.4305, brass, fluorinated rubber |
| Response time: | < 5 ms |
| Characteristic line: | < 1% of final value (at +25 °C) |
| Overload range: | see table |
| Bursting pressure: | see table |
| Protection class: | III (according to EN 60730) |
| Protection type: | IP 65 (according to EN 60529) |
| Standards: | CE conformity, electromagnetic compatibility according to EN 61326, EMC directive 2004 / 108 / EC |
| ACCESSORIES: | Fitting set (optional fixing plate for wall mounting) see table |

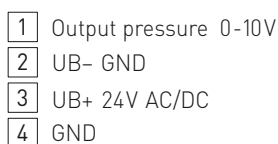
Schematic diagram

SHD 400



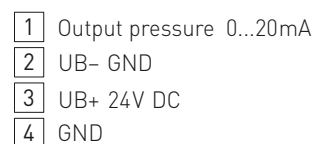
Connecting diagram

SHD 400-U



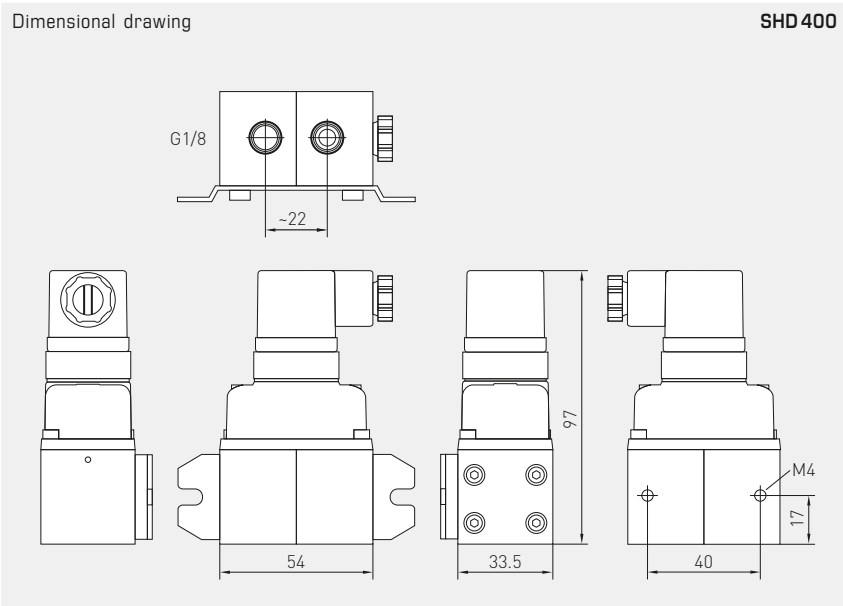
Connecting diagram

SHD 400-I





NEW



SHD 400



PREMASGARD® SHD 400 – Pressure measuring transducers, Standard

| Type / WG01 | Measuring Range | One-sided max. pressure (+) | One-sided max. pressure (-) | Static operating pressure max. | Nominal-pressure | Output | Item No. | Price |
|--------------------|--|-----------------------------|-----------------------------|--------------------------------|------------------|-----------|--------------------|----------|
| SHD400 - U | | | | | | | | |
| SHD400 U VA 2 BAR | 0... 2 bar | 10 bar | 5 bar | 21 bar | 16 bar | 0-10V | 1301-4131-0850-139 | 305,00 € |
| SHD400 U VA 4 BAR | 0... 4 bar | 21 bar | 15 bar | 21 bar | 16 bar | 0-10V | 1301-4131-0540-139 | 305,00 € |
| SHD400 U VA 6 BAR | 0... 6 bar | 21 bar | 15 bar | 21 bar | 16 bar | 0-10V | 1301-4131-0550-139 | 305,00 € |
| SHD400 U VA 10 BAR | 0...10 bar | 25 bar | 25 bar | 45 bar | 45 bar | 0-10V | 1301-4131-0560-139 | 305,00 € |
| SHD400 - I | | | | | | | | |
| SHD400 I VA 2 BAR | 0... 2 bar | 10 bar | 5 bar | 21 bar | 16 bar | 4...20 mA | 1301-4132-0850-139 | 305,00 € |
| SHD400 I VA 4 BAR | 0... 4 bar | 21 bar | 15 bar | 21 bar | 16 bar | 4...20 mA | 1301-4132-0540-139 | 305,00 € |
| SHD400 I VA 6 BAR | 0... 6 bar | 21 bar | 15 bar | 21 bar | 16 bar | 4...20 mA | 1301-4132-0550-139 | 305,00 € |
| SHD400 I VA 10 BAR | 0...10 bar | 25 bar | 25 bar | 45 bar | 45 bar | 4...20 mA | 1301-4132-0560-139 | 305,00 € |
| Accessories | | | | | | | | |
| VSD-06-MS | Fitting set made of brass, 6 mm | | | | | | 7100-0064-1100-000 | 13,20 € |
| VSD-08-MS | Verschraubungs-Set aus Messing, 8 mm | | | | | | 7100-0064-1300-000 | 13,30 € |
| VSD-06-VA | Fitting set made of stainless steel VA, 6 mm | | | | | | 7100-0064-1200-000 | 56,40 € |
| VSD-08-VA | Fitting set made of stainless steel VA, 8 mm | | | | | | 7100-0064-1400-000 | 64,80 € |
| Optional: | Fixing plate for wall mounting | | | | | | 7100-0066-0100-000 | |