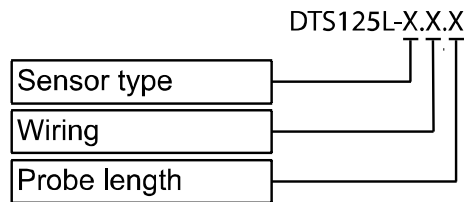


Temperature sensor

1 Description

The DTS125L is a temperature sensor in a plastic housing designed for wall mounting. It is used for measuring air temperature indoor or outdoor. The connection terminals are located inside the enclosure. The protection class IP65 makes it possible to install the sensor in industrial facilities with high demands on dust and water protection. Cable entry is provided via cable gland M12.

2 Ordering information



Sensor type

PT100 – Pt100
PT1000 – Pt1000

Wiring

2W – 2-wire
3W – 3-wire
4W – 4-wire

Probe length

60 – 60 mm
80 – 80 mm (on request)
100 – 100 mm (on request)

3 Safety precautions

▶ **NOTICE** *Do not expose the device to high mechanical stress such as shocks or vibrations.*

4 Specification

Table 1 Technical data

Measuring range	-50...+100°C
Accuracy class	B
Response time $T_{0,63}$	10 s
Measurement current, max.	1 mA
Insulation resistance, min.	20 Mohm
IP Code	IP65
Protection tube	AISI 321
Probe length (L)	60, 80, 100 mm

5 Installation

The electrical wiring should be performed after the device is mounted (see Fig. 1). The maximum wire size is 1.5 mm².

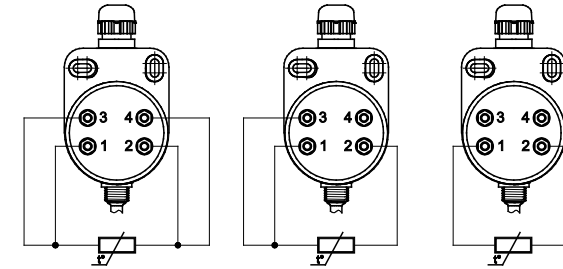


Fig. 1 Wiring

6 Maintenance

Maintenance must be carried out at least every 6 month only by appropriately qualified stuff and includes:

- cleaning the enclosure
- checking the fastening
- checking the wiring.

The safety guidelines in section 3 must be observed when performing maintenance.

7 Transportation and storage

The device must be transported in closed transport boxes. Protective measures against shocks, vibrations and humidity must be observed. There must be no chemically active substances in the air. Storage temperature: -40...+85 °C.

8 Scope of delivery

- Temperature sensor
- User guide

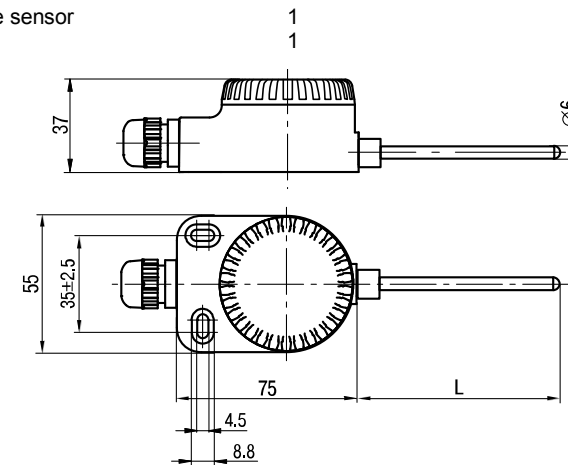


Fig. 2. Dimensions